

TOB2003

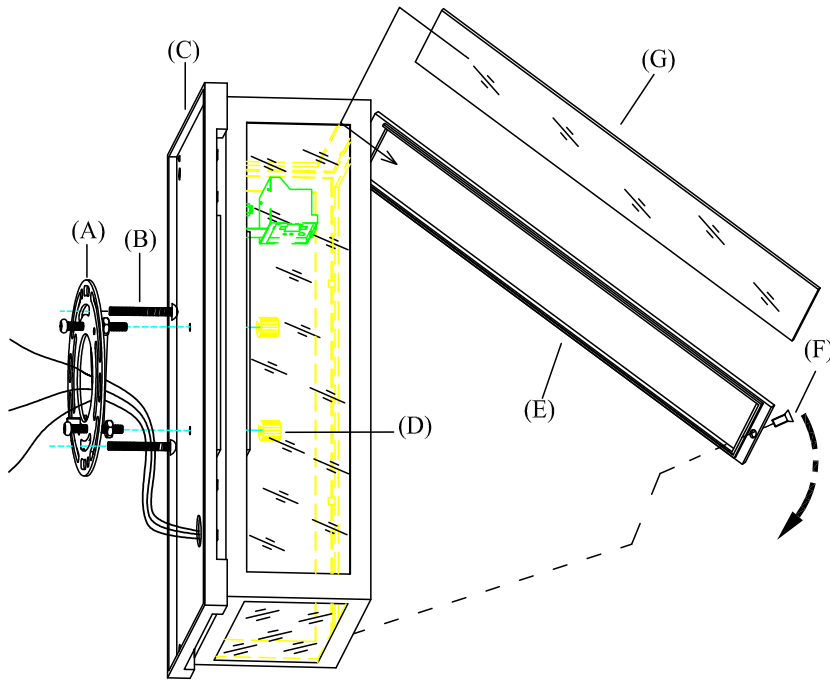
ASSEMBLY & INSTALLATION GUIDE

WE RECOMMEND INSTALLATION OF THIS LIGHTING FIXTURE BE DONE BY A LICENSED ELECTRICIAN.

WARNING * SWITCH OFF THE MAIN ELECTRICAL SUPPLY FROM THE MAIN FUSE BOX/CIRCUIT BREAKER BEFORE INSTALLATION.**

INSPECT ITEM CAREFULLY BEFORE ATTEMPTING TO INSTALL. IF THERE IS ANY DAMAGE OR OBVIOUS DEFECT, DO NOT INSTALL.

ITEM MAY NOT BE RETURNED ONCE IT HAS BEEN INSTALLED.



1. Open bottom frame (E) of lantern box (C) by removing screw (F).
2. To detach mounting plate (A) and the rod from lantern box (C) by unscrewing the decorative screws (D) in counter-clockwise direction.
3. Position the mounting plate (A) diagonally so that the holes of mounting plate (A) and wall outlet box are aligned. Tighten with mounting screws (B) provided.
4. Attach ground (green) fixture wire to ground wire from ceiling outlet box (usually green or copper in color), and fasten together with a plastic wire connector. Tightly wrap the wire connector with electrical tape so the end of the connector is sealed.

IT IS IMPERATIVE THAT THE OUTLET BOX IN YOUR HOME BE PROPERLY GROUNDED.

5. Connect neutral (white) fixture wire to neutral (usually white) wire from wall outlet box. Fasten both wires together with a plastic wire connector and tightly wrap the wire connector with electrical tape.
6. Repeat the procedure with the hot (black) wires. Always make sure that no wire strands are left outside the connectors.

DO NOT REVERSE THE HOT AND NEUTRAL CONNECTIONS OR SAFETY WILL BE COMPROMISED.

7. Gently push lantern box (C) onto the outlet box, letting rods on mounting plate (A) pass through the holes of lantern box (C), and secure with decorative screws (D).
8. Insert light bulbs into sockets.
9. Insert glass panel (G) into bottom frame (E).
10. Close bottom frame (E) and secure with screw (F).