

TEAR SHEET

Stratford XL Bracketed Gas Wall Lantern

Item # CHO 2457SC-CG

Designer: Chapman & Myers

Height: 40.5"

Width: 18"

Extension: 20"

Backplate: 5" x 18.25" Rectangle

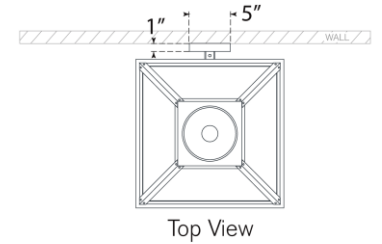
Finishes: BLK, SC

Glass Options: CG

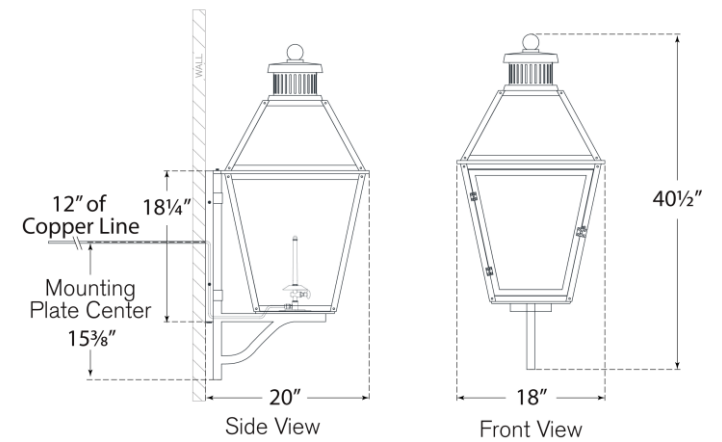
Lightsource: Gas Burner

Wattage: 1350 - 1650 BTU

Weight: 30 Pounds



Top View



Side View

Front View