

HIBISCUS

BPD21213



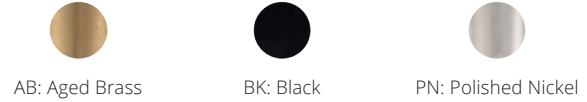
Project:

Location:

Fixture Type:

Catalog Number:

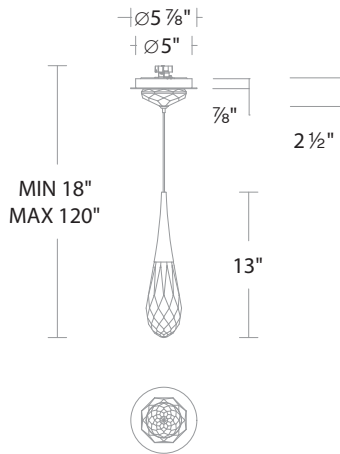
AVAILABLE FINISHES



DESCRIPTION

Crystal fashion comes to light in unique forms. Delicate, graceful drops of exquisite crystal embraced by tapered metal forms that glow with a charming lustre. Matching crystal overlays are applied to the metal canopies for an additional touch of luxury.

LINE DRAWING



FEATURES

- Built-in color temperature adjustability switch from 3000K/3500K/4000K at time of installation
- Thin powered aircraft cables provide an ultra clean look for adjustable suspension height
- Thin canopy conceals a proprietary 120/277V driver
- Spin-on round canopy with minimal hardware
- Can be mounted on a sloped ceiling

SPECIFICATIONS

CRI	90
Dimming	ELV, TRIAC
Standards	ETL/cETL, Damp, Title 24

REPLACEMENT PARTS

- RPL-GLA-21213 - Crystal

Model	Size	LED Color Temp	Finish	Voltage	Wattage	Weight	LED Lumens	Delivered Lumens
BPD21213	1 light (13")	3000K/3500K/4000K	AB Aged Brass BK Black PN Polished Nickel	120/277V	7W	5 lb	585	390

Example: BPD21213-PN